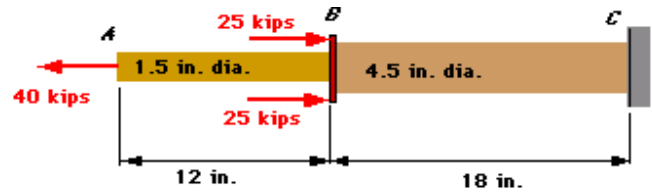


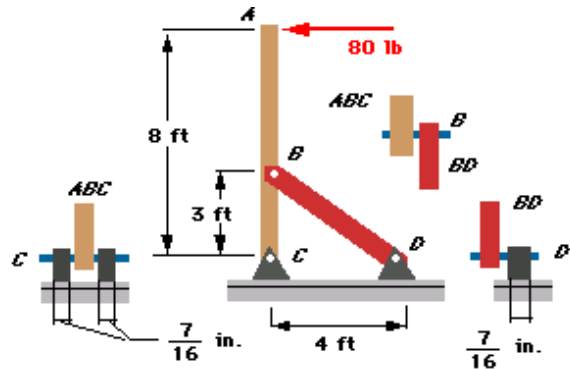
1)

Two solid circular rods are welded together at B as shown. Determine the normal stress at the midpoint of each rod.

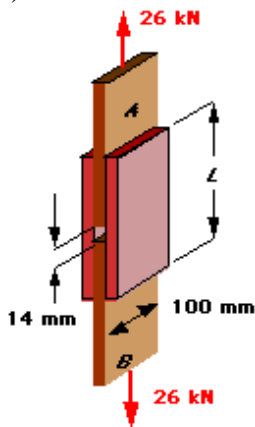


2)

For the loading condition shown, determine the average shear stress in each pin and the bearing stress in the support brackets at C and D . The pins at B and D each has a diameter of $7/16$ (0.4375) in. The pin at C has a diameter of $5/16$ (0.3125) in. All stresses are measured in ksi.

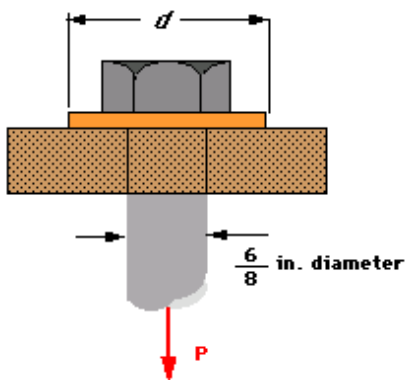


3)

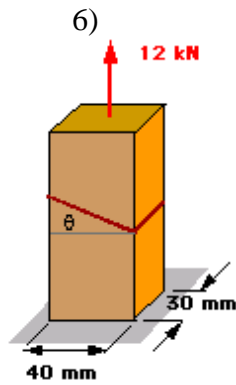


Two 100-mm-wide wooden members are joined by plywood splice plates that are fully glued on the surfaces of contact. The two members are separated by a 14-mm gap. Determine the length L (in millimeters) for which the average shearing stress in the glue is 750 MPa.

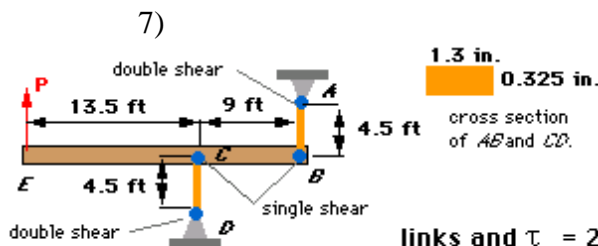
4)



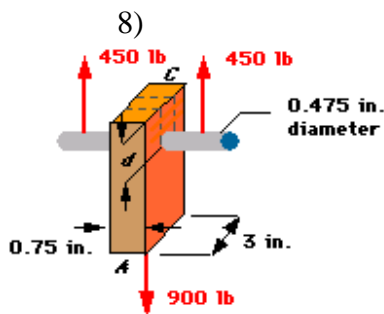
The load P applied to a steel rod is distributed to a timber support by an annular washer of inside diameter 0.85 in. and outside diameter d . The axial normal stress in the steel rod is 5.5 ksi, and the average bearing stress is 725 psi. Determine the required washer diameter d .



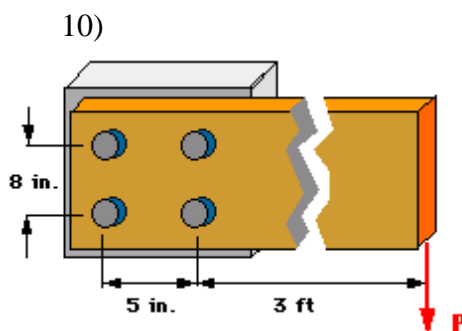
Two members with a uniform cross section of 30×40 mm are joined by a glued scarf splice at an angle θ . The ultimate stresses for the glued joint are $\sigma_U = 21$ MPa and $\tau_U = 10.5$ MPa. Determine the range of values of θ for which the factors of safety in shear and normal stresses are 2.12 and 2.8, respectively.



Links AB and CD are connected at a support and to beam BCE by 0.425 -in.-diameter pins. The attachments at A and D are double shear, while those at B and C are single shear. It is known that $\sigma_U = 65$ ksi for the links and $\tau_U = 26$ ksi for the pins. Determine the largest load P that can be applied if the factor of safety is 3.4.



Wooden member AC is supported by a 0.475 -in.-diameter pin fitted into a round hole near end C . For this member, determine (a) the maximum normal stress in the wood, (b) the average bearing stress in the wood, and (c) the distance d required for which the average shearing stress is 90 psi along the surfaces indicated by the dashed lines.



A component is attached to a wall with four 0.75 -in.-diameter bolts (each acting in single shear). A load P is applied to the component as shown. The ultimate shearing stress for each bolt is 30 ksi. If the factor of safety is 2.5, determine the largest load P that can be applied to the component. *Hint:* Assume each bolt reacts the same shear force.